

## S40 Controller

Rugged Handheld



# S40 **Advanced Controller**

STONEX systems are the hands-on answer to the needs to provide the professionals working on the field with integrated and scalable instruments, matching the most advanced GIS technologies existing on the market, significantly amplifying work opportunities.

The S40 rugged and reliable design, combined with the IP67 Certification rating can withstand any harsh environment. STONEX S40 can be used in any situation wherever the field staff goes. S40 has on board the Android system for greater flexibility regarding applications that can be used and possibly developed specifically.

Complete product certifications and the advanced manufacturing process, ensure that the device is high efficient steady and durable, it can bring an unprecedented experience even for GIS users.



## **RTK**

Rtk correction for better data



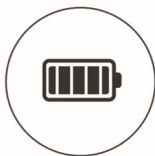
## **TOUGH DESIGN**

External design able to resist in extreme weather and temperature



## **DIGITAL COMPASS**

Work in remote places without fear of losing yourself with the integrated compass



## **LONG LIFE AN FAST CHARGE**

Long battery life and fast charge. One hour of recharge for one day of use



## **HIGH QUALITY CAMERA**

8 MP Camera

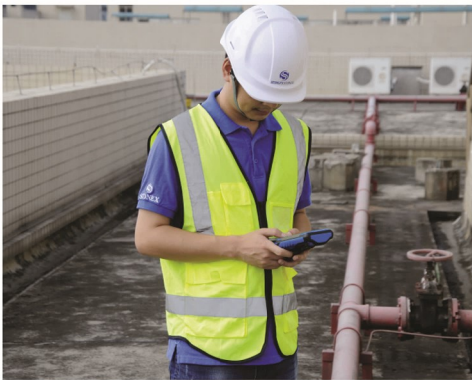






# S40 Rugged Handheld

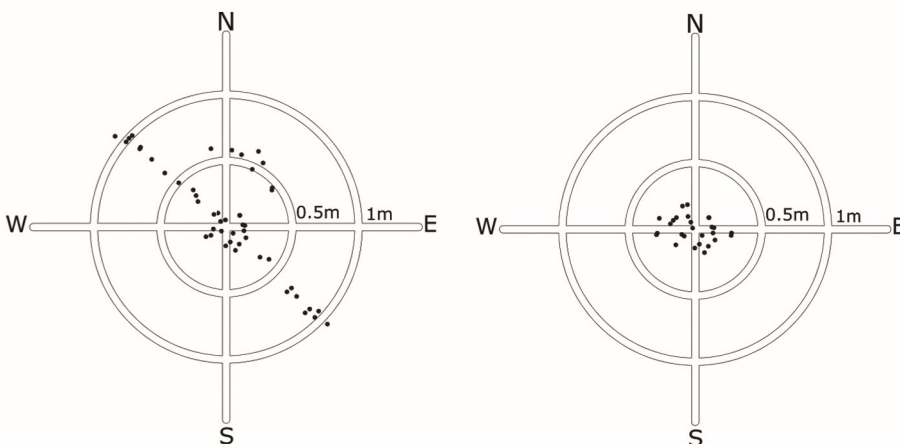
## Advanced features in one hand



GPS Handheld STONEX S40 receiver is easy and handy, suitable to anybody needs a predictive and efficient data collector system on the field. Integrated 72 channels GPS with high receptiveness SBAS technology, camera at 8 MP with autofocus, GSM, Wi-Fi and Bluetooth are only some of the many features that enable high performances and high productivity.

S40 is fully compatible with differential correction protocols RTCM2.X emitted from CORS station and GPS NW in addition to the differential correction coming from the suitable geostationary satellite systems (WAAS, EGNOS, GAGAN, MSAS); positioning accuracy can reach up to 0.5 m.

Collect data with the required accuracy, thanks to the real time differential corrections (RTK/SBAS)



### RTK correction

On the left: GNSS position without RTK correction  
On the right: GNSS position with RTK correction

# S40 TECHNICAL FEATURES

## Advanced Controller

STONEX S40 can be used in any situation wherever the field staff goes.

Complete product certifications and the advanced manufacturing process, ensure that the device is high efficient steady and durable, it can bring an unprecedented experience even for GIS users.

### SYSTEM

CPU	Qualcomm Snapdragon Quad Core 1.1 GHz
Operating System	Android 6.0
RAM	1 GB
FLASH	8 GB

### DISPLAY

Screen Size	4.3"
Resolution	480 x 800
Brightness	400 Nit
Touch Panel	Capacitive

### CAMERA

Rear	8 MP
------	------

### DATA COMMUNICATION

GSM	GSM WCDMA LTE
Bluetooth	4.1 + LE
Wi-Fi	802.11 n

### SENSOR

GNSS	72 channels L1 GPS/Glonass/Beidou/Galileo
Gyroscope	Yes
Electronic Compass	Yes
Accelerometer	Yes
Electronic Bubble	Yes

### GNSS ACCURACY

Autonomous	2.5m CEP
SBAS	2.0m CEP
RTK	0.5m CEP

### INTERFACE

TF Slot	Support Micro SDHC SDXC (UHS-I)
USB	USB 2.0, Type C
GSM	Micro sim

### POWER SUPPLY

Battery	Lithium-ion 3400 mAh
Operating time	Up to 10 hours

### PHYSICAL SPECIFICATIONS

Dimensions	194mm x 90mm x 40mm
Weight	570 g
Operating Temperature	-30°C to 60°C (-22°F to 140°F)
Storage Temperature	-40°C to 80°C (-40°F to 176°F)
Waterproof/Dustproof	IP67
Shock Resistance	Designed to endure to a 1.2 m composite wood floors
MIL-STD	MIL-STD-810G

### STANDARD ACCESSORIES

Battery Charged	Yes
USB Cable	Yes

Illustrations, descriptions and technical specifications are not binding and may change



STONEX AUTHORIZED DEALER

**STONEX®**  
Part of **UniStrong**

Via Cimabue 39 - 20851 Lissone (MB) Italy  
Phone +39 039 2783008 | Fax +39 039 2789576  
www.stonex.it | info@stonex.it